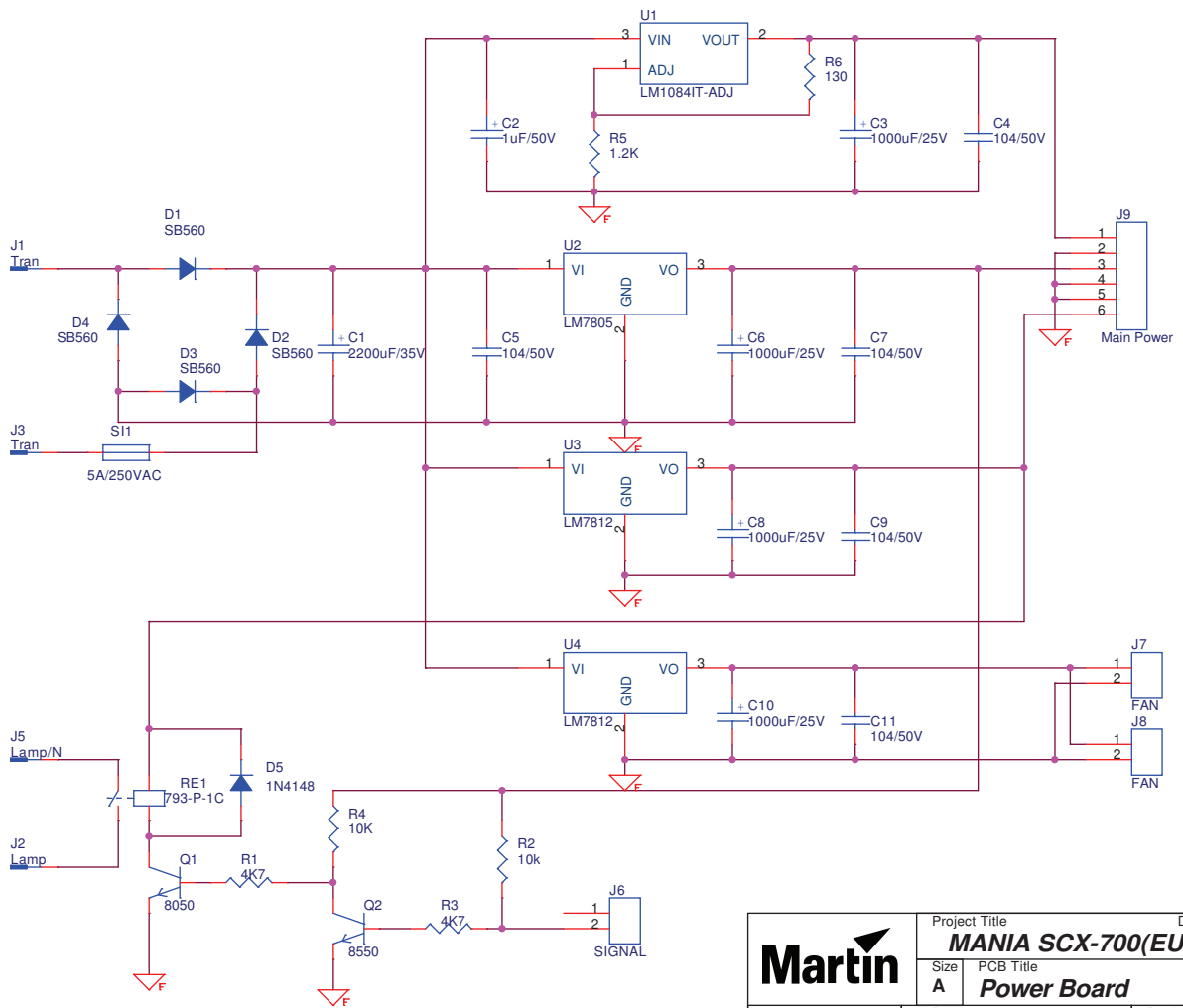


<b>Martin</b>	Project Title		Drawn By	
	MANIA SCX600 /SCX700		LOS	
	Size	PCB Title		
A3	SCX600 Display			
Date:		Product Bsn Number		
Wednesday, March 30, 2015		62000508-A		
Sheet 1 of 1				



<b>Martin</b>	Project Title		Drawn By
	<b>MANIA SCX-700(EU)</b>		<b>BS</b>
Size	PCB Title		Rev
<b>A</b>	<b>Power Board</b>		<b>B</b>
Date:		Product Baan Number	
Monday, September 12, 2005		62020076-B	
Sheet <b>1</b> of <b>1</b>			

